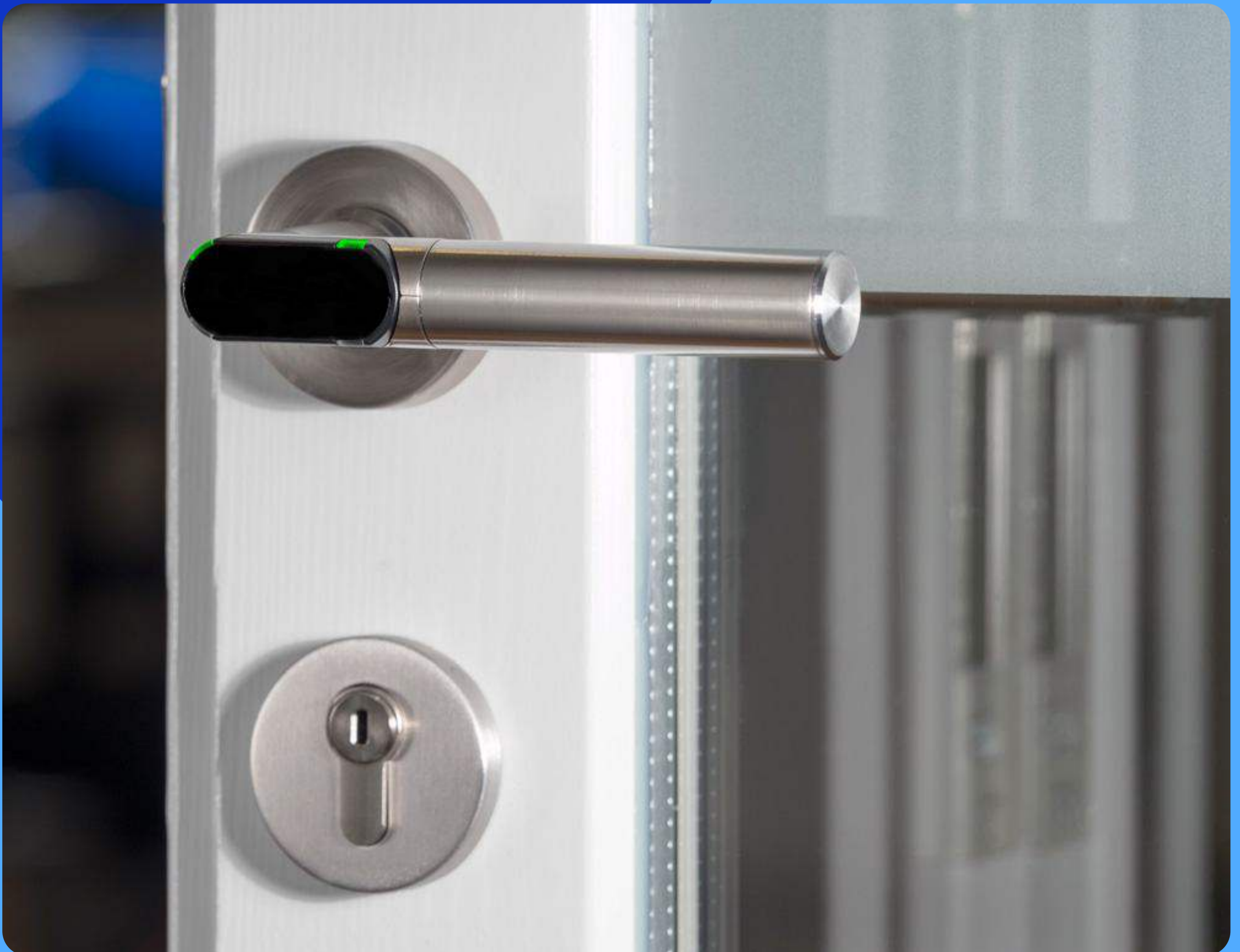


Handle SMK-H1

Installation Guide v2.0





Activate the Handle

Step 1

Download the Smart MasterKey app from the App Store or Google Play.

Skip to step 3 if you already have personal or organisation profile create.



App Store



Google Play

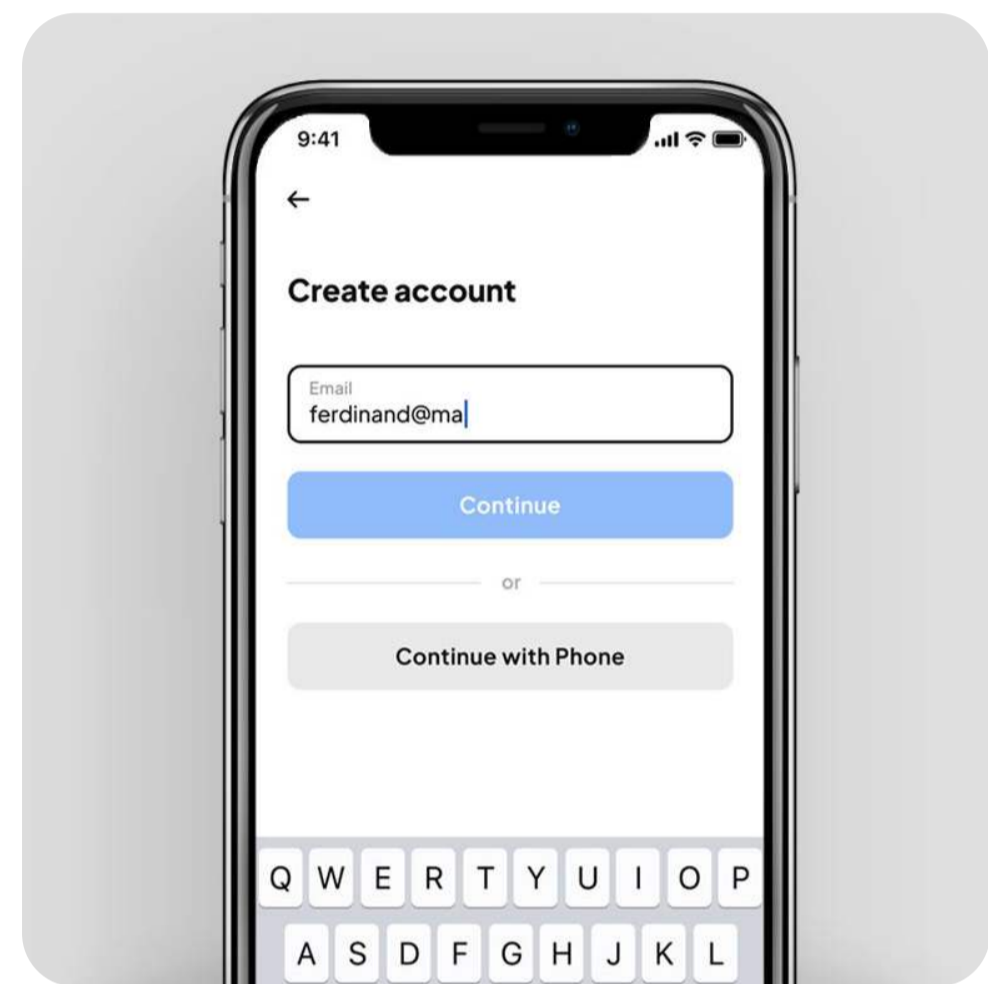
Step 3

In the Smart MasterKey mobile app choose personal or intended organization profile under which the lock should be added.

Please note that organization profiles can only be created on web portal - <https://admin.smartmasterkey.com/>. After the organization profile is set you can switch to the profile in mobile application and proceed with lock setup.

Step 2

Tap **Get Started** to create an account in the app and/or log in.



Step 4

Tap **Add a lock module** and scan the QR-code that came with the lock (the label with the QR-code is under the battery cover).

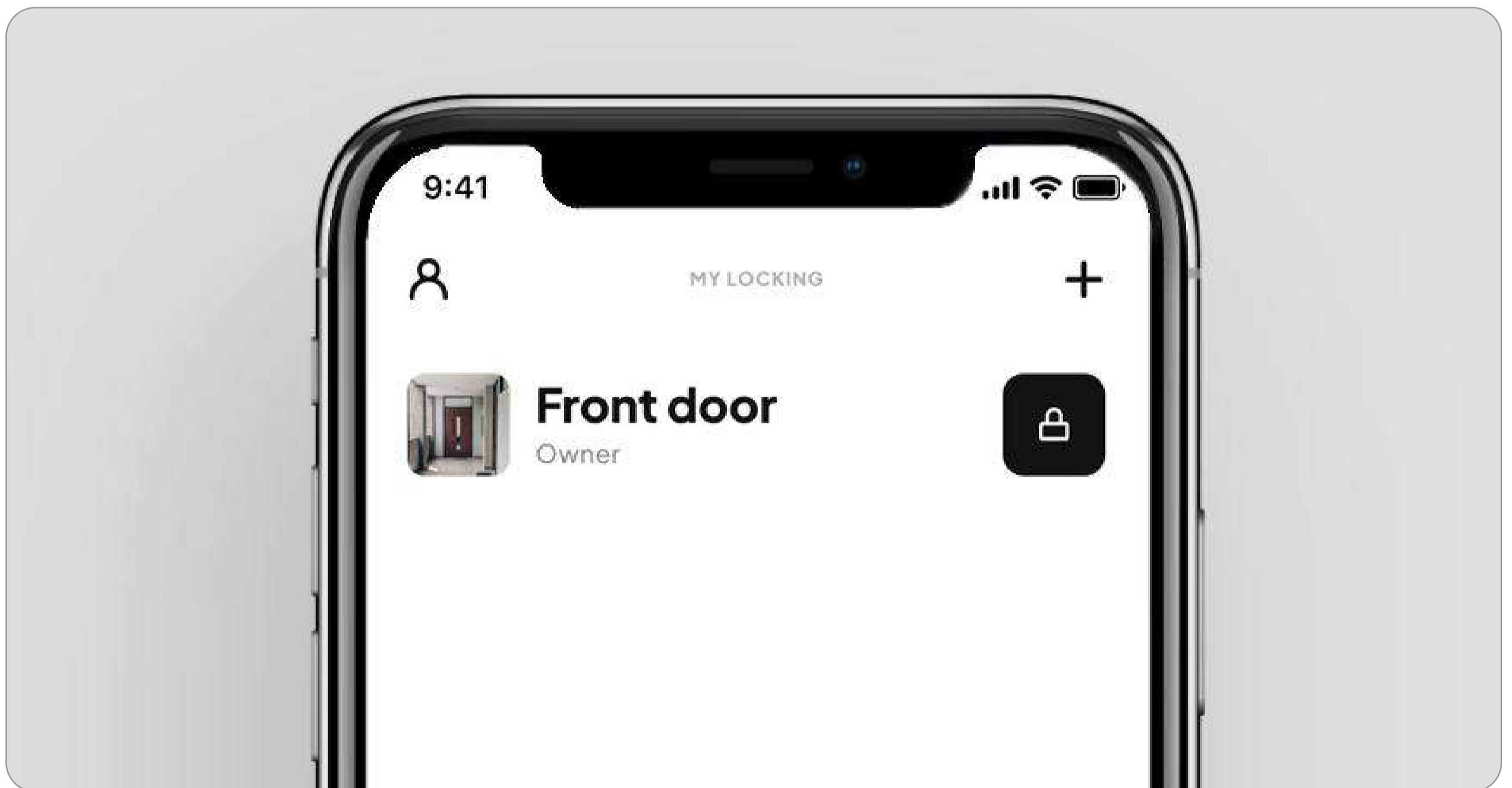




Activate the Handle

Done!

You are ready to use your new cylinder. Tap the lock button in the app to activate the cylinder and try it out.



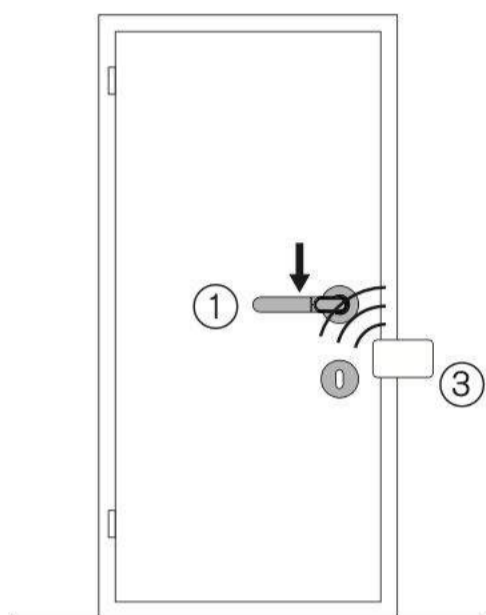
Follow installation video guide

[Follow the link for full installation video tutorial.](#)

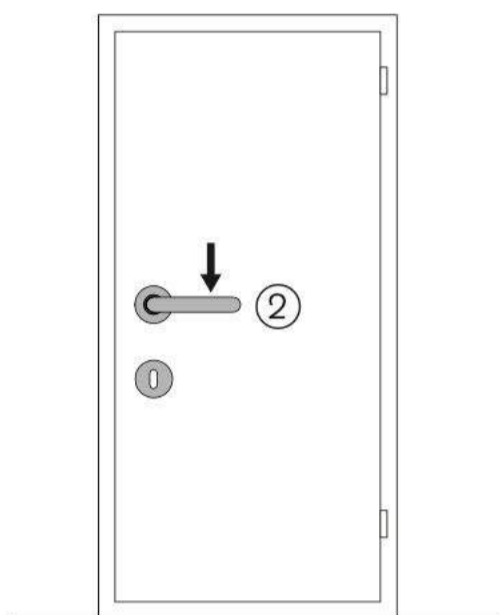


Connection Schemes

Door outer side



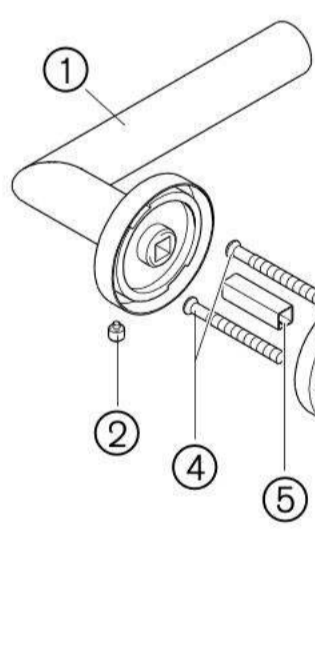
Door inner side



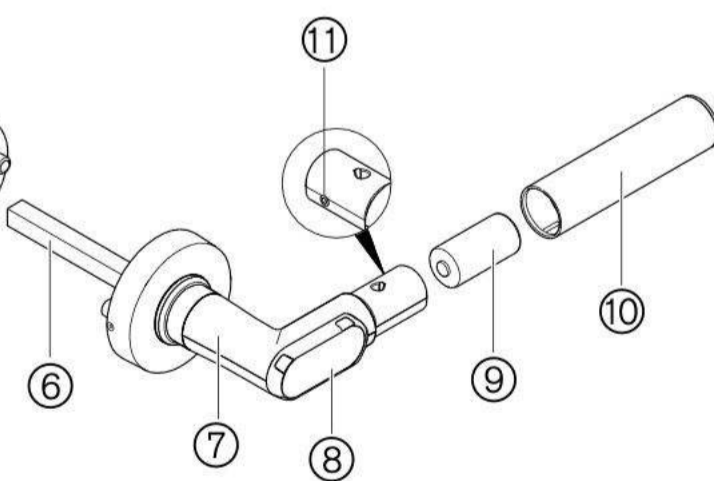
The following 3 parts must be ordered separately:

- a) Door handle for the door inner side.
- b) Door handle for the door outer side
- c) Spindle (the applicable length and thickness must always be used. Only use compensating spacers if absolutely necessary)

Door inner side

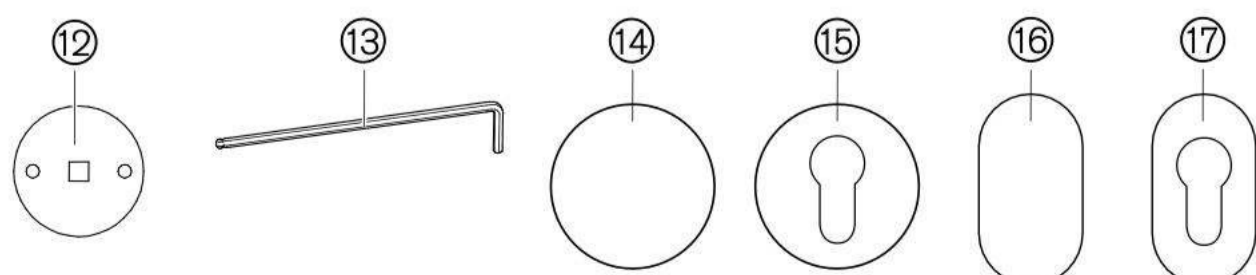


Door outer side



- 1. Mechanical handle door inner side
- 2. Locking screw
- 3. Handle support
- 4. Mounting screws (2x)
- 5. Spacer for single-side electronic operation
- 6. Spindle
- 7. Electronic handle door outer side
- 8. Reading unit
- 9. Battery
- 10. Handle sleeve
- 11. Allen screw for handle sleeve

Installation aids and key rosettes



- 12. Drill template
- 13. 2mm Allen key
- 14. Optional: round rosette (blank cover)
- 15. Optional: round rosette (profile cylinder)
- 16. Optional: oval rosette (blank cover)
- 17. Optional: oval rosette (profile cylinder)



Connection Schemes

Round rosette handle

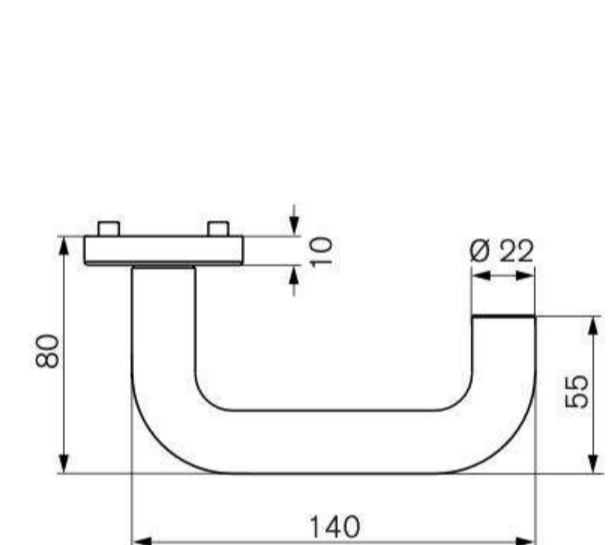
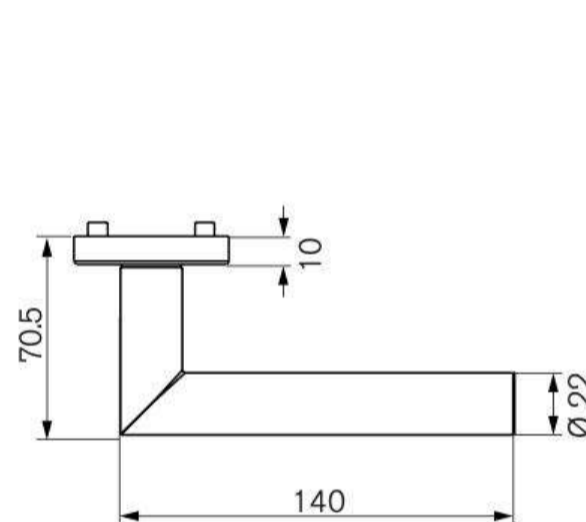
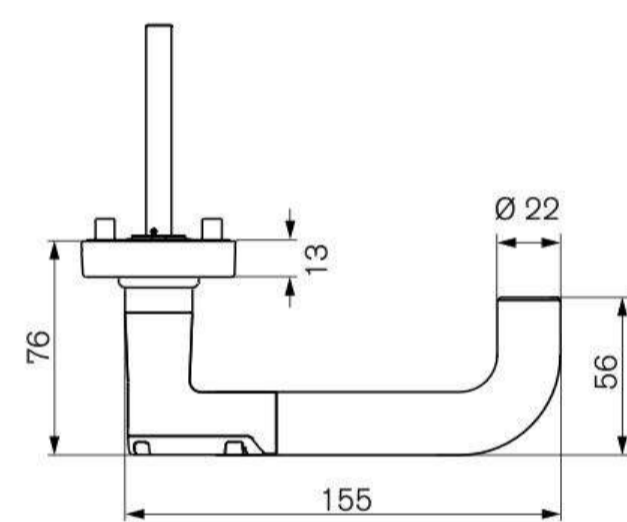
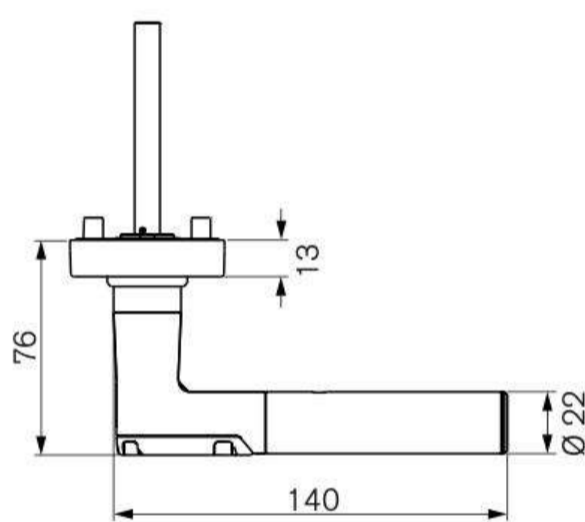
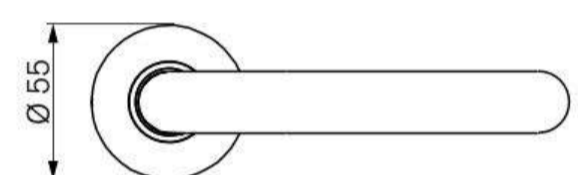
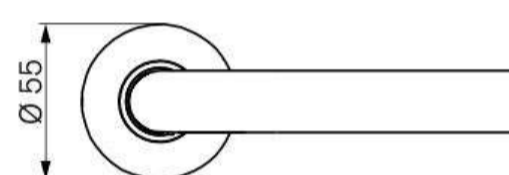
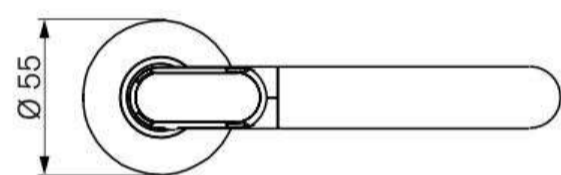
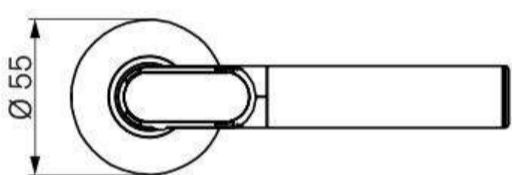


L1: L-shape handle

U2: U-shape handle

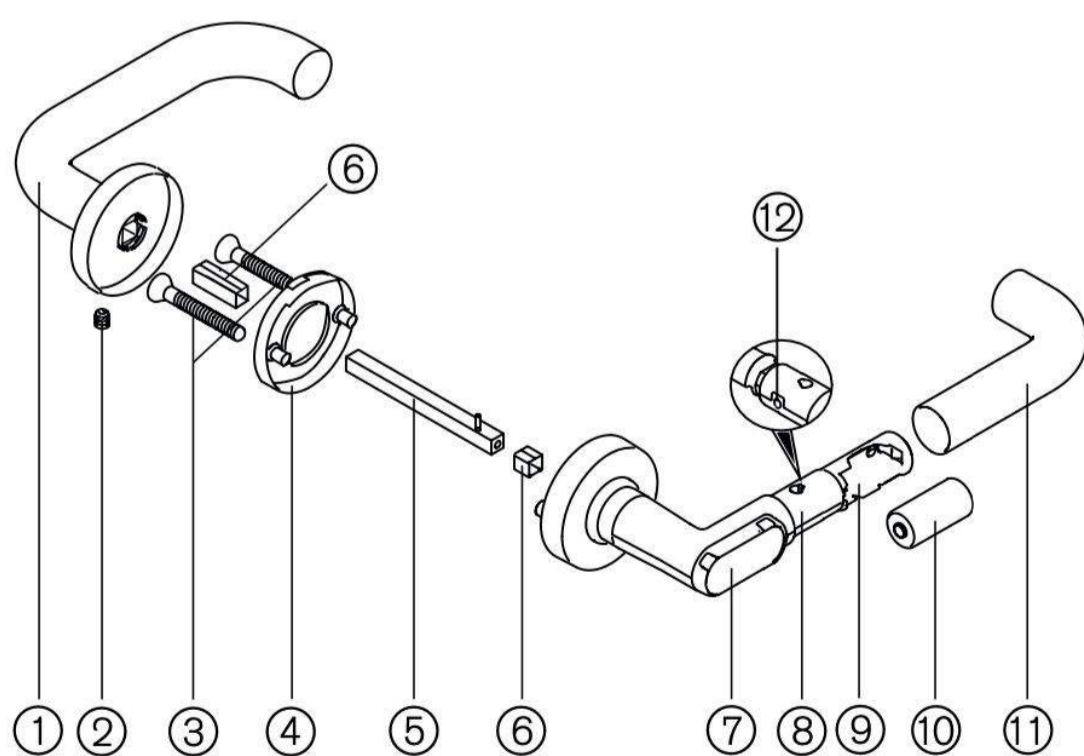
L1: L-shape handle

U2: U-shape handle



Door inner side

Door outer side



1. Mechanical handle door inner side
2. Locking screw
3. Mounting screws (2x)
4. Handle support
5. Spindle with spiral tension pin
6. Spindle spacer (only with 7mm spindle)
7. Reading unit
8. Electronic door handle
9. Battery compartment
10. Battery
11. Handle sleeve
12. Allen screw for handle sleeve

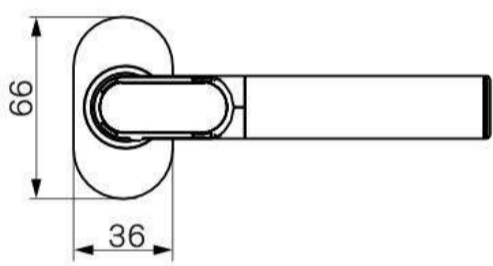


Connection Schemes

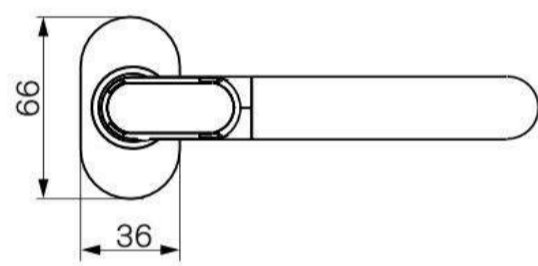
Oval rosette handle



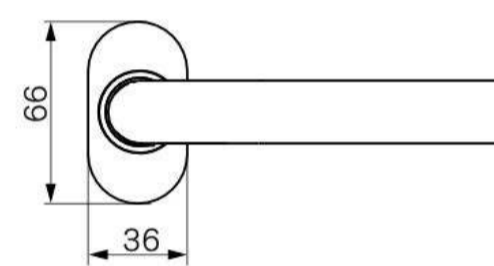
L1: L-shape handle



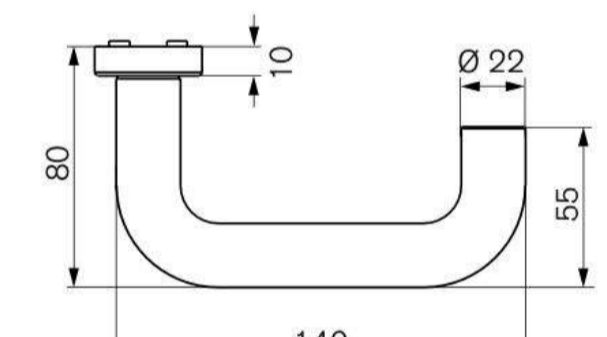
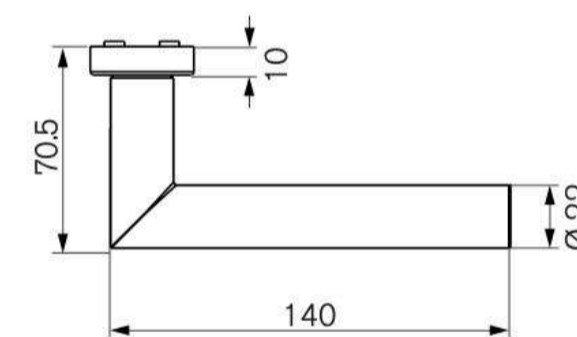
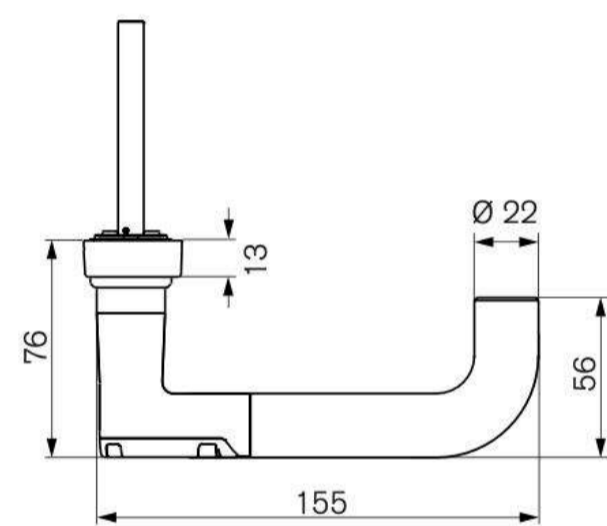
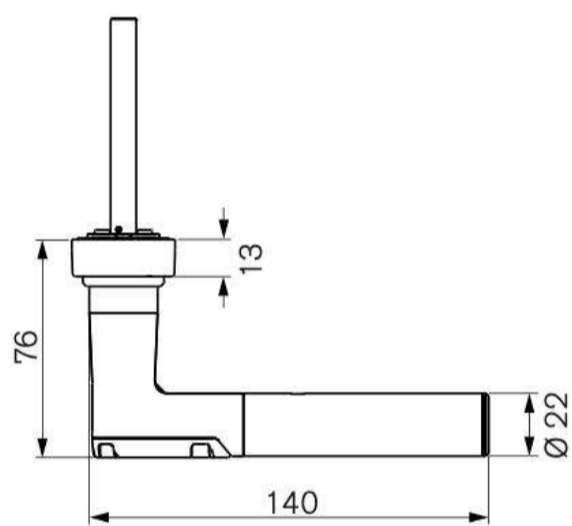
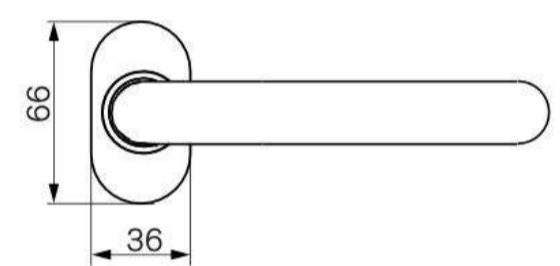
U2: U-shape handle



L1: L-shape handle

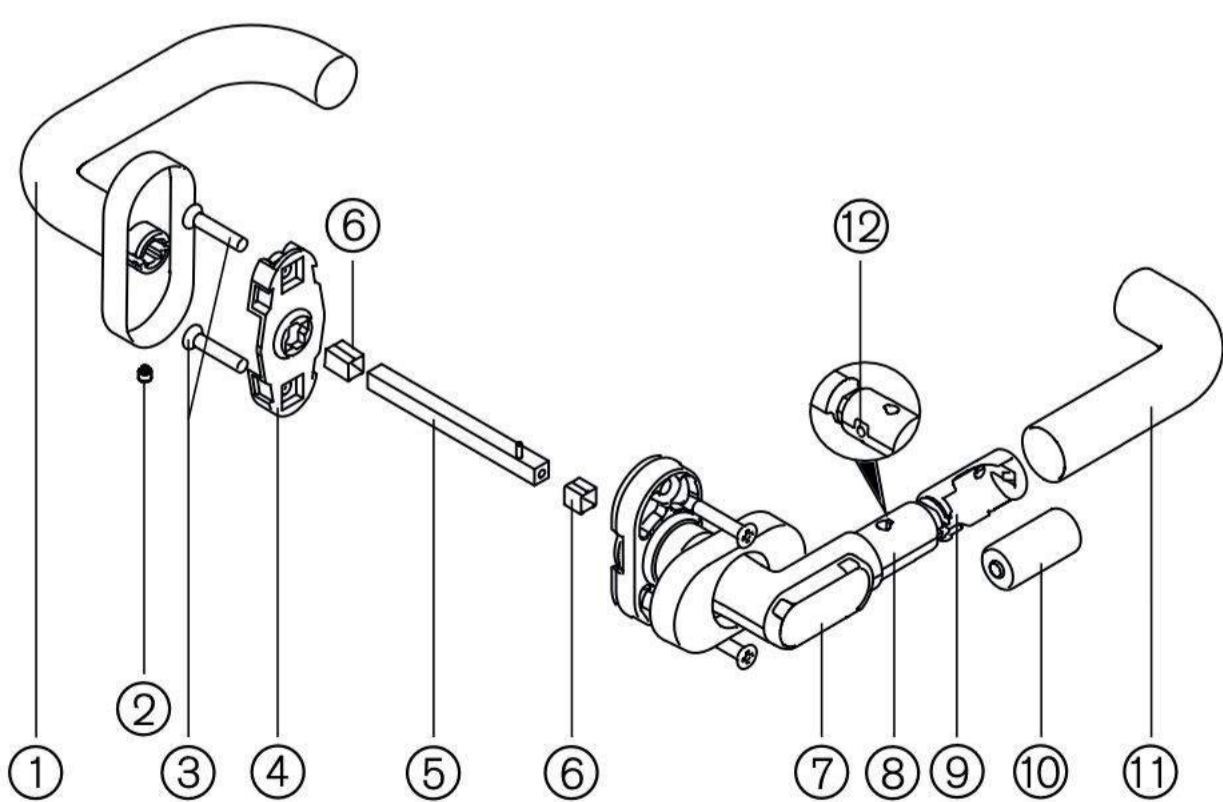


U2: U-shape handle



Door inner side

Door outer side



1. Mechanical handle door inner side
2. Locking screw
3. Mounting screws (2x)
4. Handle support
5. Spindle with spiral tension pin
6. Spindle spacer (only with 7mm spindle)
7. Reading unit
8. Electronic door handle
9. Battery compartment
10. Battery
11. Handle sleeve
12. Allen screw for handle sleeve



Data sheet

Operation	over Smart MasterKey access control platform
Power supply	1 x CR123A Lithium 3V battery
Communication protocols	BLE (Bluetooth Low Energy), RFID (MIFARE®, LEGIC® and EM/HITAG)
Dimensions	Compatible with all current European lock standards <ul style="list-style-type: none">• Backset > 30 mm• Door thickness from 30 to 110 mm• Spindle sizes: 7, 8, 8.5, 9, and 10 mm
Signaling elements	BLE (Bluetooth Low Energy), RFID
Operating temperature	Indoor version: +5 to +55 °C Outdoor version: -25 to +65 °C
Protection type	Indoor version: IP40 Outdoor version: IP66
Color options	PVD coating in gold, anthracite, bronze and black colors
Compliance	CE
Certifications	DIN EN 16867 DIN EN 1634 (for fire and smoke resistant doors) DIN EN 179 (for emergency exit locks)



Smart
Master
Key

Gold Standard for Key Solutions

Sales
sales@smartmasterkey.com

Customer support
support@smartmasterkey.com

smartmasterkey.com