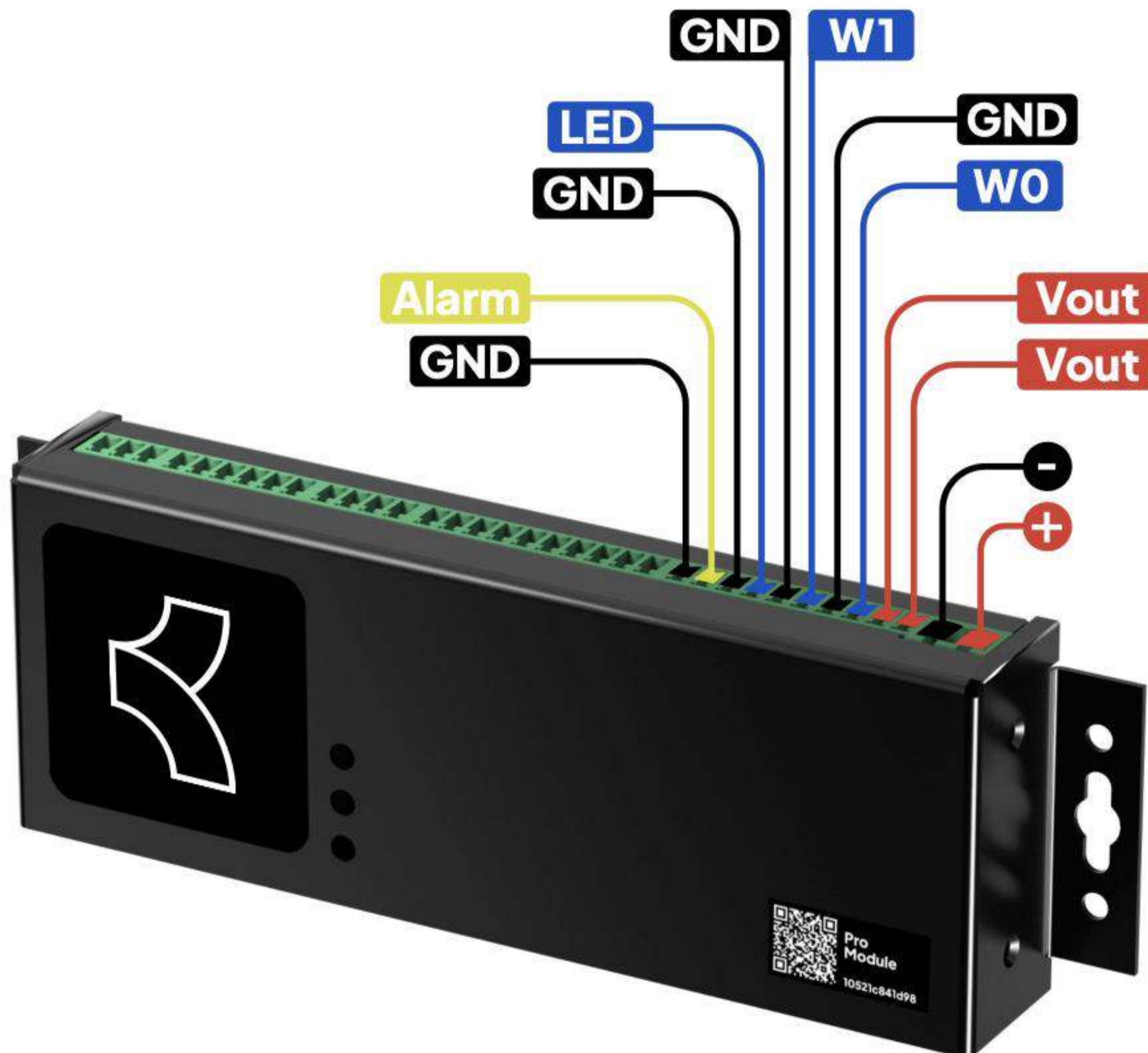


## SMK-AC-PRO connection diagram



### Power

1. Vin. +9 --+40V
2. GND

### IO1

1. Vout (same as input V)
2. Vout (same as input V)

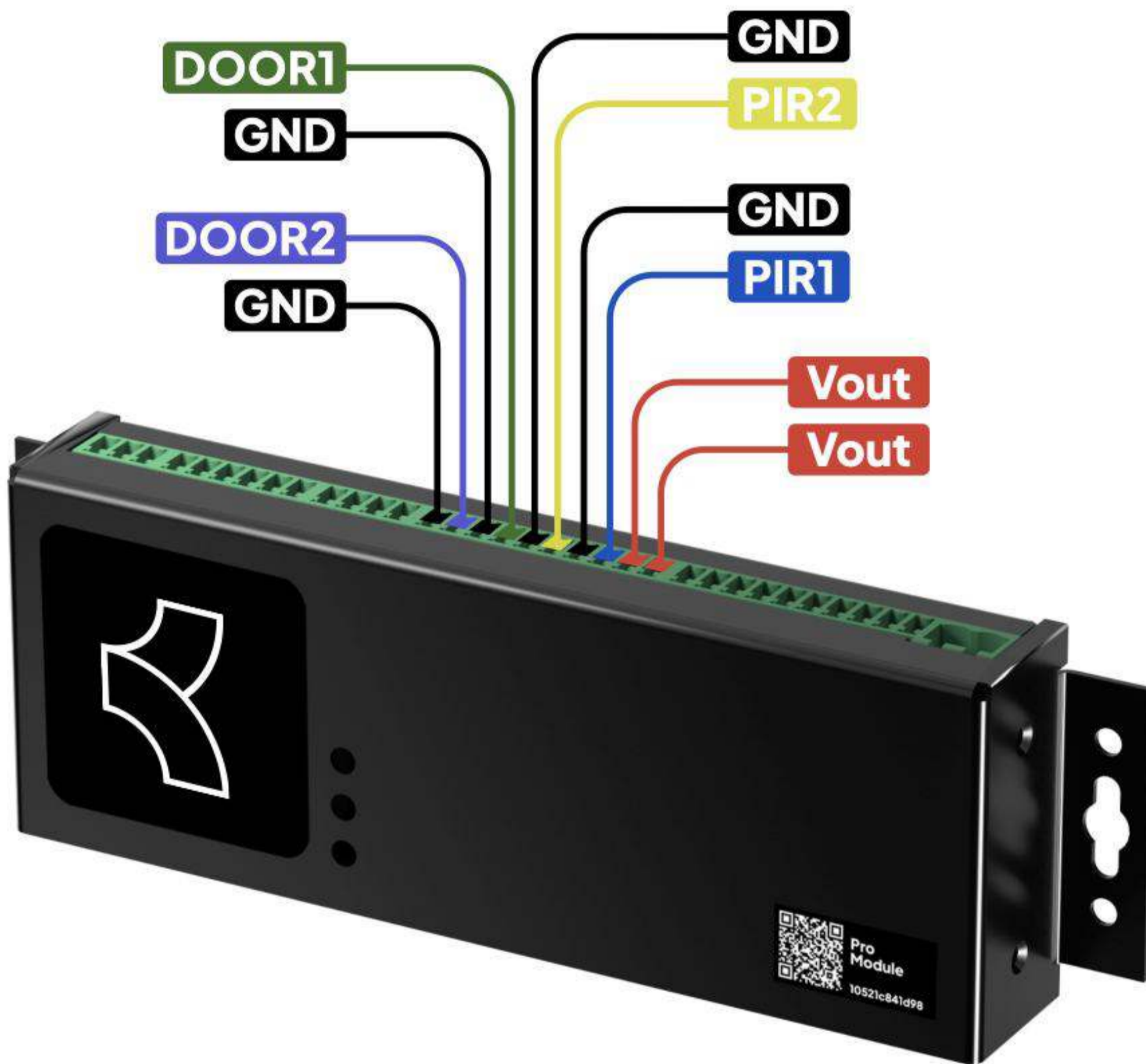


3. Wiegand data 0
4. GND
5. Wiegand data 1
6. GND
7. Reader LED
8. GND



9. Smoke Alarm
10. GND

## SMK-AC-PRO connection diagram



### IO2

- 1. Vout (same as input V)
- 2. Vout (same as input V)

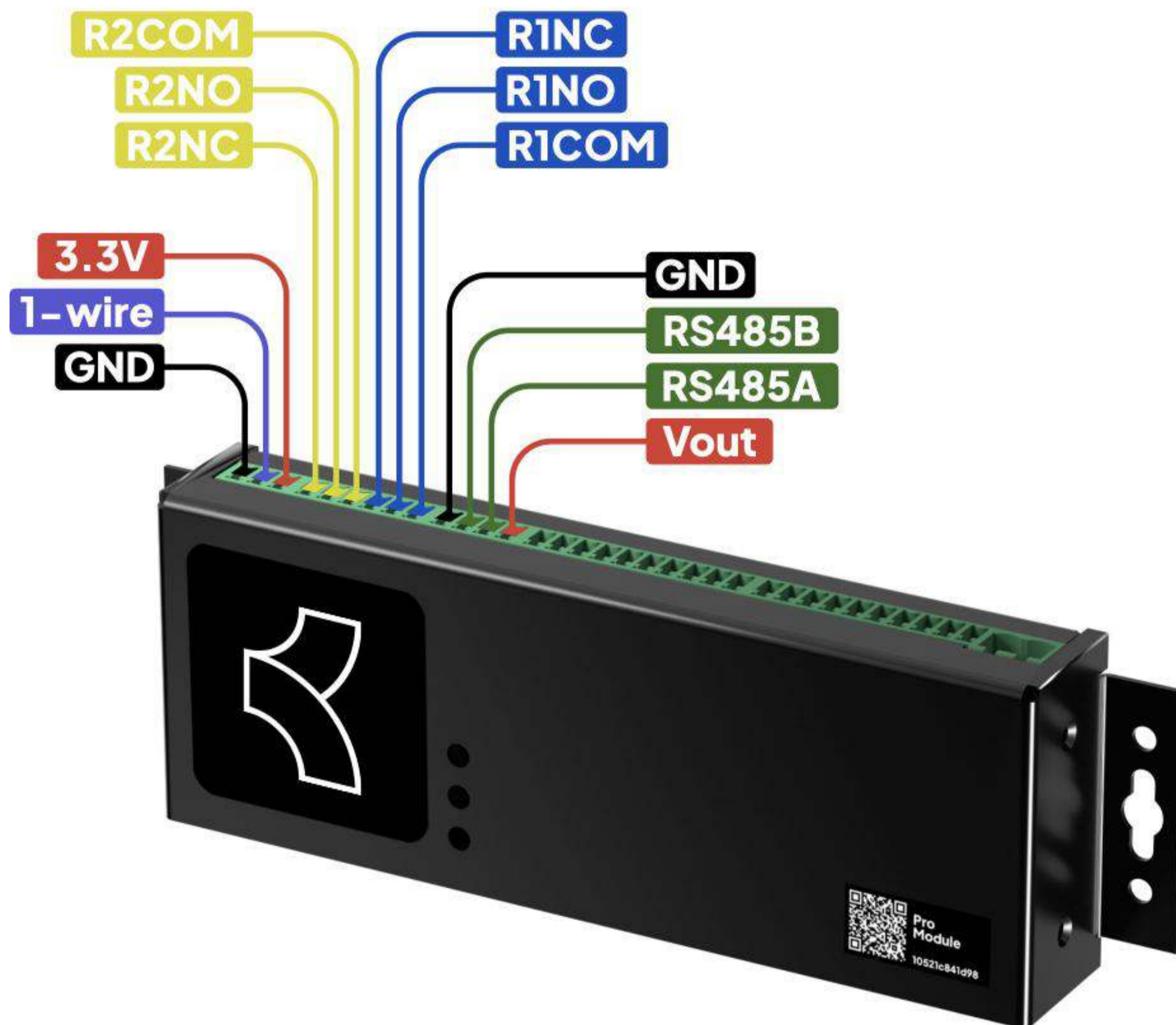


- 3. PIR Sensor 1
- 4. GND
- 5. PIR Sensor 2
- 6. GND
- 7. Door Sensor 1
- 8. GND



- 9. Door Sensor 2
- 10. GND

## SMK-AC-PRO connection diagram



### RS485

1. Vout (same as input V)
2. RS485 A
3. RS485 B
4. GND

### Relays

1. R1 COM
2. R1 NO
3. R1 NC
4. R2 COM
5. R2 NO
6. R2 NC

### 1-wire

1. 3.3 V
2. 1-wire
3. GND